



GREENFIELD™ CAST IRON GAS STOVE

GREEN SMART™

13



The Greenfield in this room is shown in the Oxford Brown enamel finish.

Maximum BTU Input per Hour 40,000 (NG & LP)	Minimum BTU Input per Hour 11,900 (NG) 7,400 (LP)	Heating Capacity* Up to 2,000 sq. ft. with fan	Steady State Efficiency Up to 84% NG and 86.5 LP	Canadian P.4.1 Efficiency Up to 70.2% NG - 71.2% LP
--	--	---	---	--

*Heating capacity may vary depending on degree of home insulation, floor plan, ceiling height and the ambient temperature zone in which you live. Contact local building or fire officials about restrictions and installation requirements in your area.



The Greenfield shown in New Iron paint finish.



The Greenfield™ cast iron gas stove is a true revolution in stove design. Combining clean lines, graceful proportions and traditional cast appeal, this wide-view stove can be considered a freestanding fireplace! The number one feature on the Greenfield is the incredibly large 749 square inches of fire-viewing glass. The open, three-side glass design allows you to view the incredibly realistic log set and dancing-flames from any angle in the room. Another great feature on the Greenfield gas stove is the downward pointing accent light. This beautifully highlights the logs from the top, giving the fire a radiance never before offered in a freestanding stove.

The Greenfield is designed to be a powerhouse of a heater, with an input of 40,000 BTUs it can heat up to 2,000 square feet! But this stove is also exceptionally “Green” to own and operate. The Greenfield takes advantage of the revolutionary GreenSmart system including the two-stage Ember-Fyre burner to give you an outstanding energy-efficient turn-down ratio of 70% on NG and 82% on LP. This gives you fantastic control over the amount of heat produced and allows you to use your stove on the coldest days where you need maximum heat, but also for year-round enjoyment when only the fire and little heat is desired.



The Greenfield can be installed as a top or rear vent stove and can also be installed on a hearth and vented up into an existing fireplace chimney.





GREENFIELD™ CAST IRON GAS STOVE FEATURES AND OPTIONS

15

- Award winning Ember-Fyre Burner features realistic logs, glowing red embers and the most wood-like fire of any gas stove.
- Easy Heat/Flame Adjustment with a huge high-to-low flame turndown ratio - up to 70%.
- Comfort Control™ that allows you to turn off the rear burner for less heat and provides year-round enjoyment of the fire.
- Battery powered LED lit control panel automatically lights up when you lower the access panel.
- Built-in battery backup allows continued operation of your gas stove during power outages. Automatically switches back to AC when the power comes back on.
- Choice of pilot ignition modes - Choose GreenSmart Pilot setting to save money or Continuous Pilot for colder climates where a heated chimney is needed to maintain the draft to ensure proper operation.
- The standard accent light adds a glowing light above the logs and against the beautiful optional black enamel back whether your fire is on or off. This adjustable light is perfect as a night light or as a soft indirect light for the room.
- Optional 165 CFM Convection Blower will enhance the transfer of the natural radiant and convective heat from the stove into your home.

Scan the QR Code to watch the Greenfield burning. See back page for information on how to use a QR Code. <http://vimeo.com/15757914>



FINISHES



New Iron Paint Finish

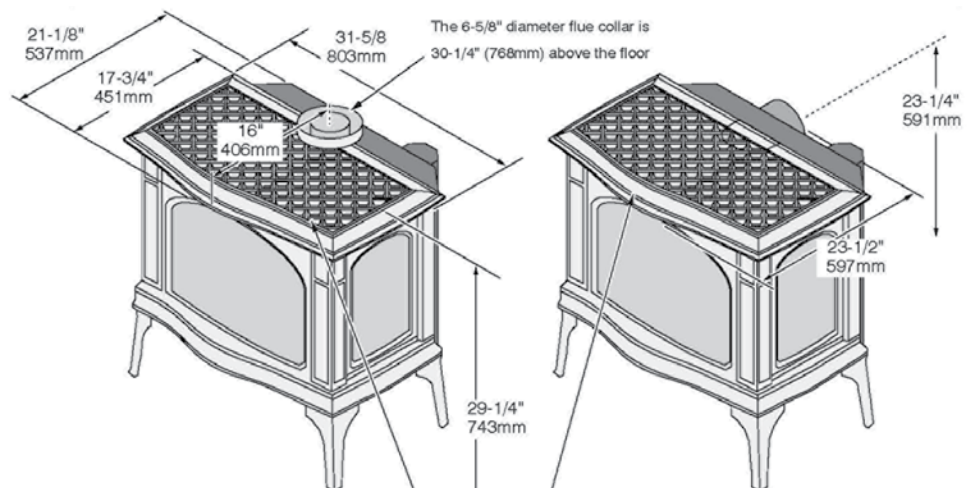


Carbon Black Patina



Oxford Brown Porcelain Enamel

DIMENSIONS



Glass Area:

Front: 16-3/16" H X 26-1/4" W

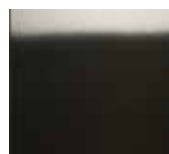
Side: 15-3/16" H X 10-9/16" W

NOTE:

Measure side, corner, and back clearances from the stove top.

Weight 310 Lbs. (140 Kg)

OPTIONS



Black Enamel Fireback



GreenSmart™ Remote Control



Basic Remote Control



Wall Thermostat



165 CFM Convection Fan